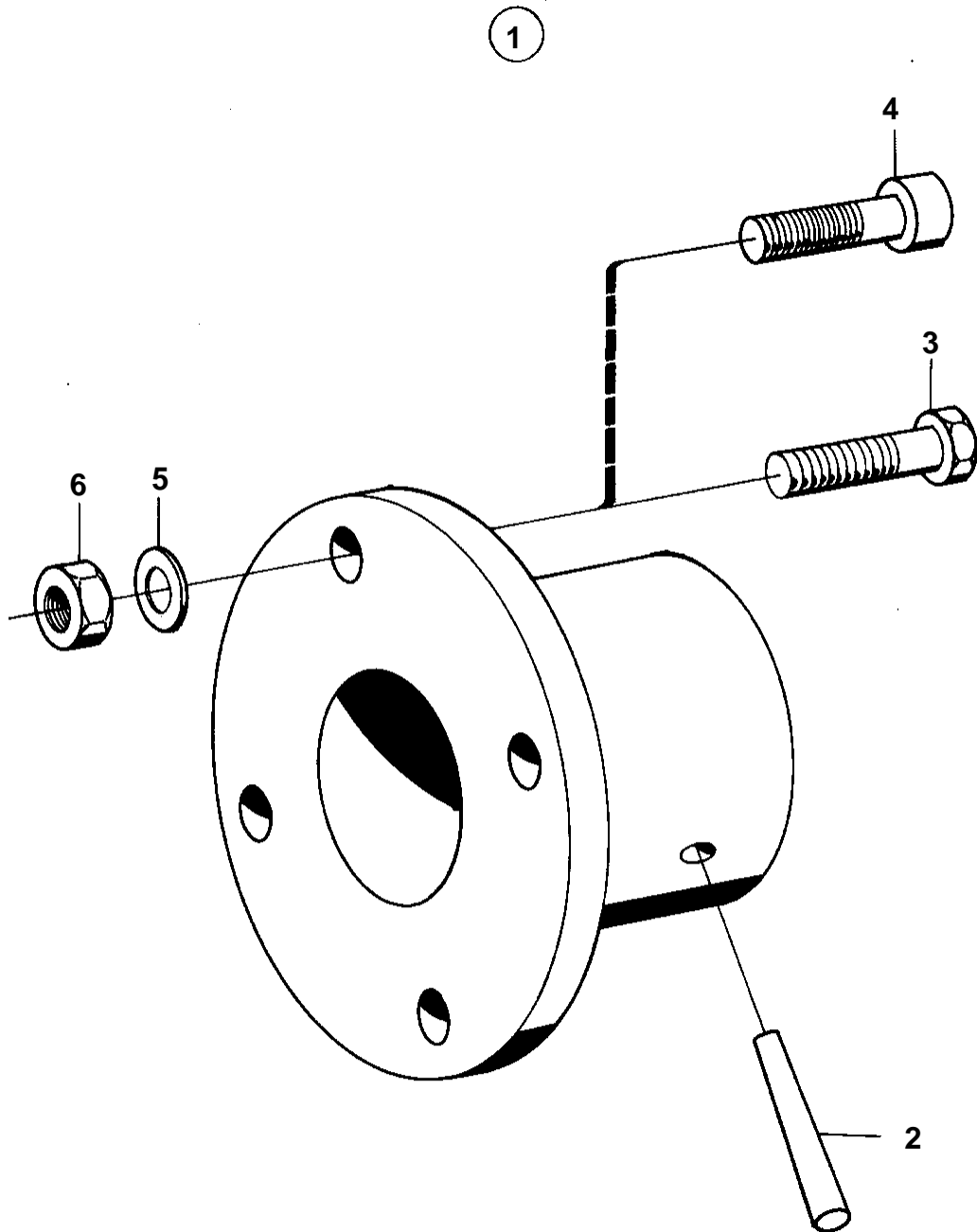


COMMON



3232

COMMON

REF	PART NO.	QTY	DESCRIPTION	NOTES
1	806384	1	Companion flange	D = 25 MM. CENTER DRILLED.
2	907599	1	· Pin	
3	955319	4	· Screw	
4	959239	4	· Screw	
5	941908	4	· Spring washer	
6	955783	4	· Nut	